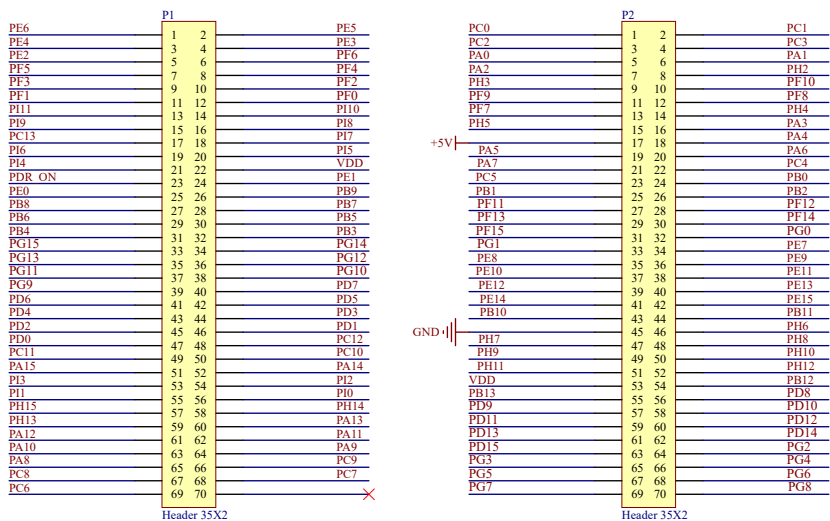
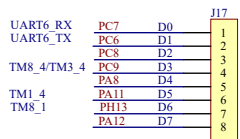
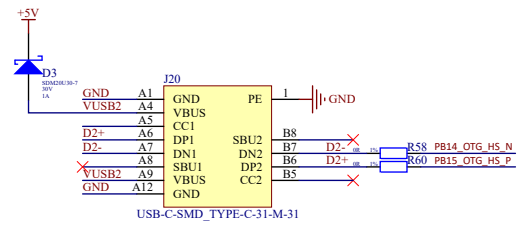
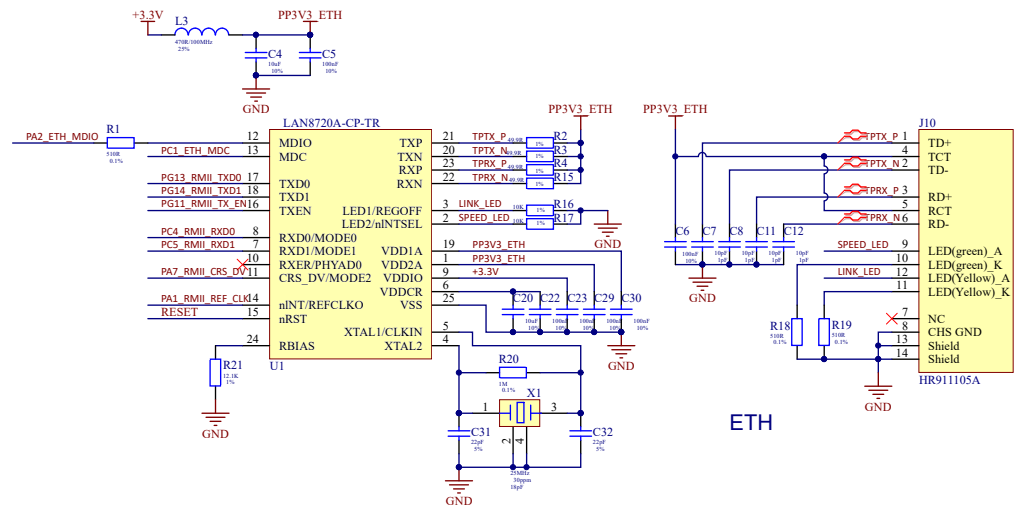


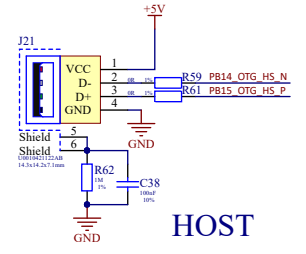
Arduino



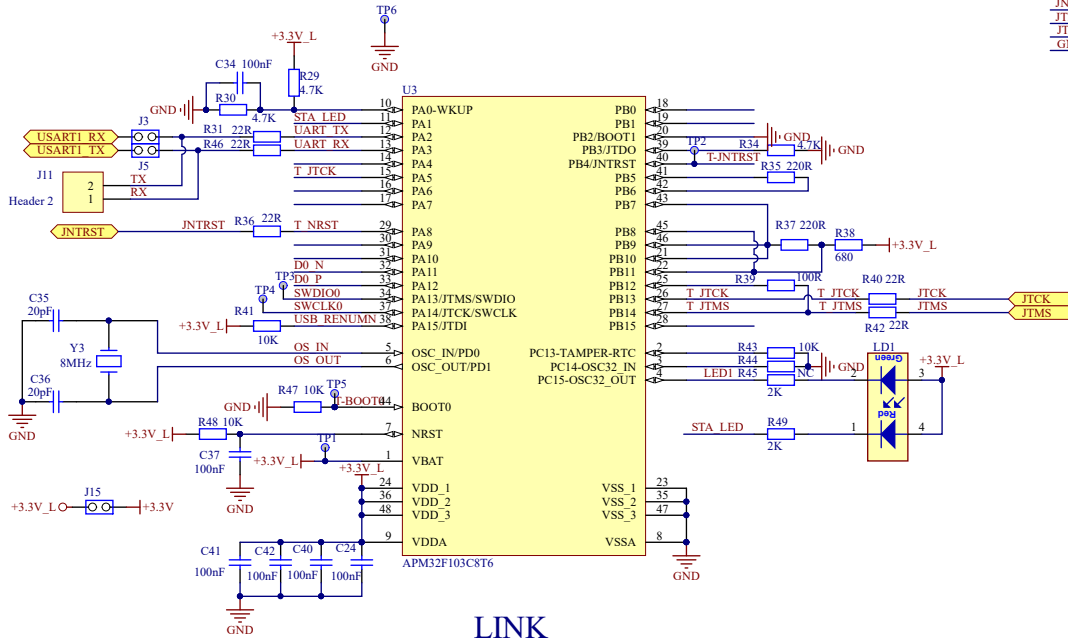
GPIO



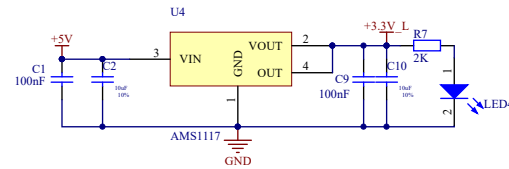
Device



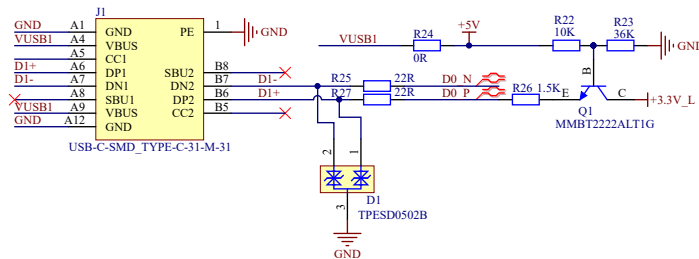
 SEMICONDUCTOR www.geehy.com	ProjectName	APM32F407 TinyBoard V1.0
	DocumentName	Connect
	Page Number	2/3



LINK



POWER



Device