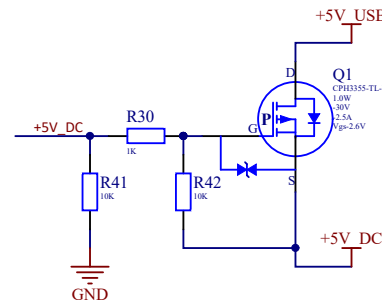
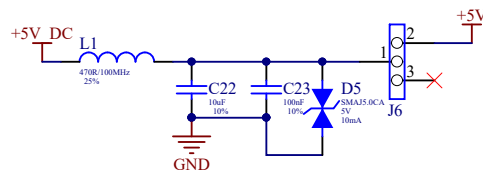
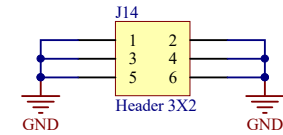
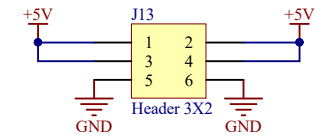
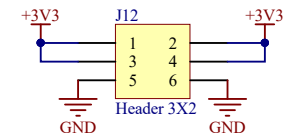
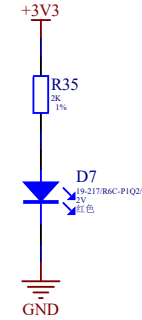
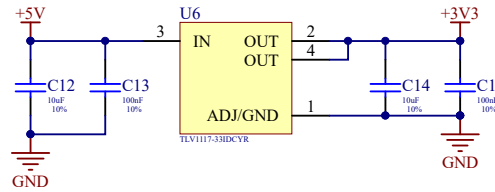
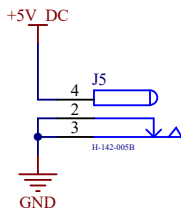

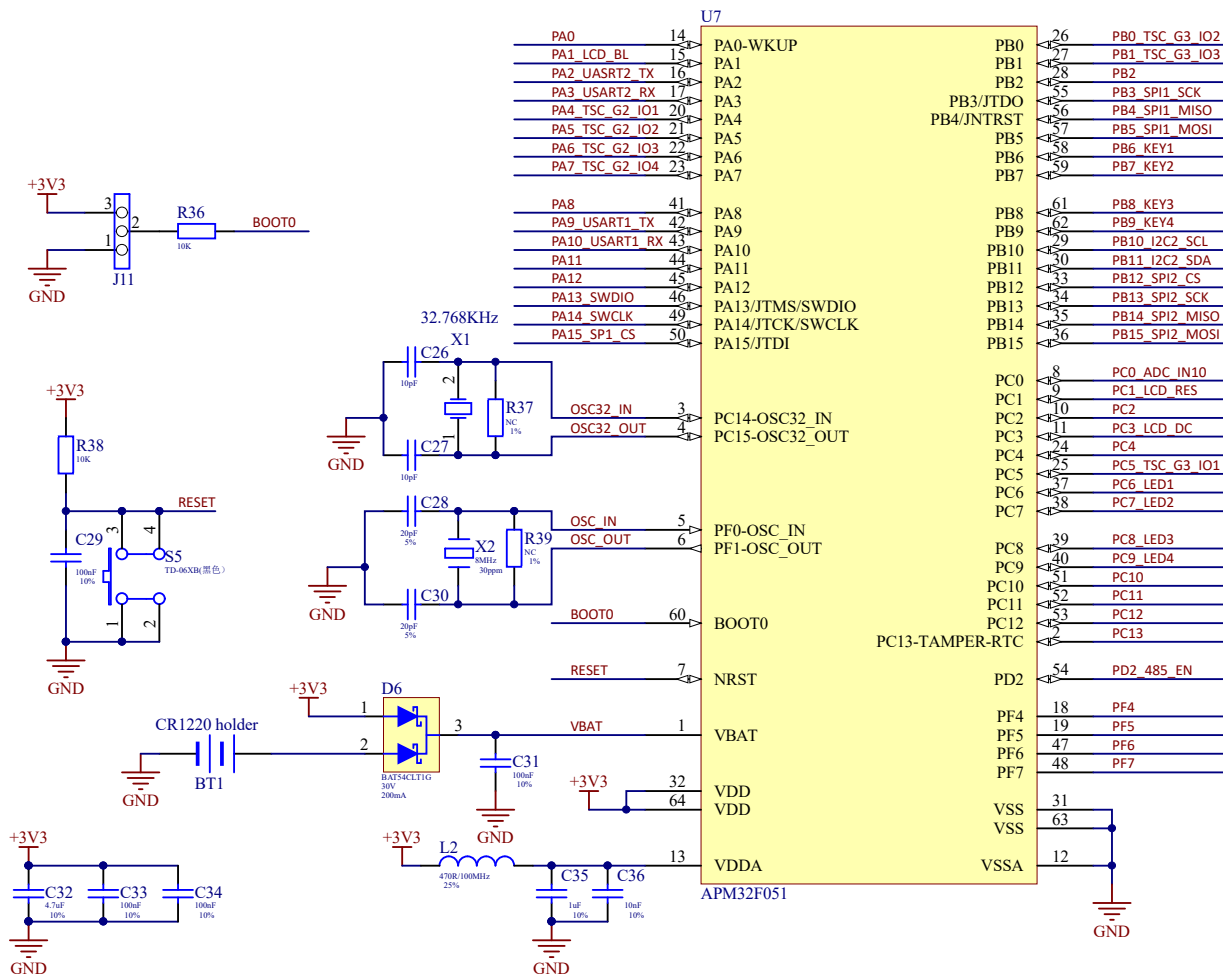


Page1:Power Supply




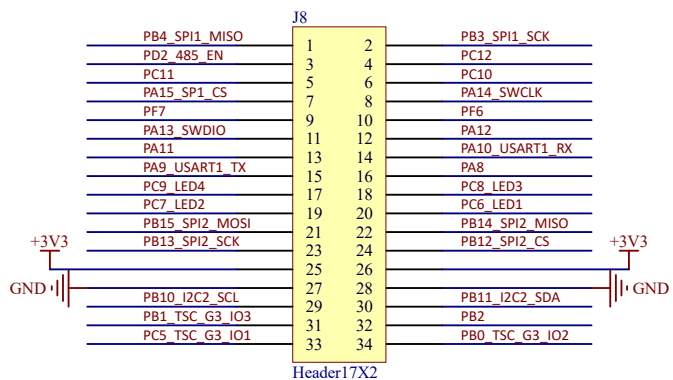
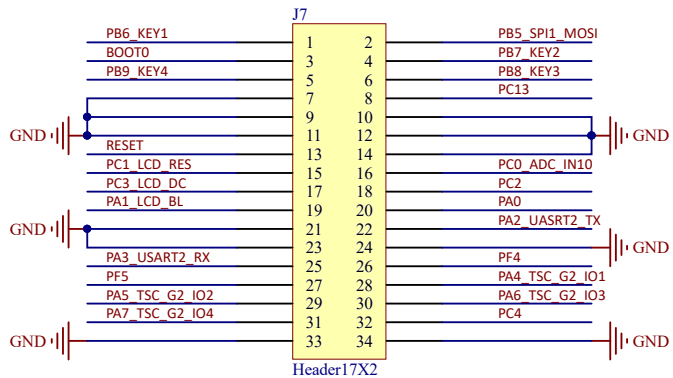
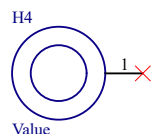
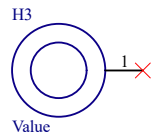
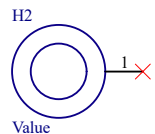
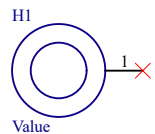
外部电源供电时，自动断开USB供电

 www.geehy.com	ProjectName	APM32F051 EVAL V1
	DocumentName	Power Supply
	Page Number	1/6

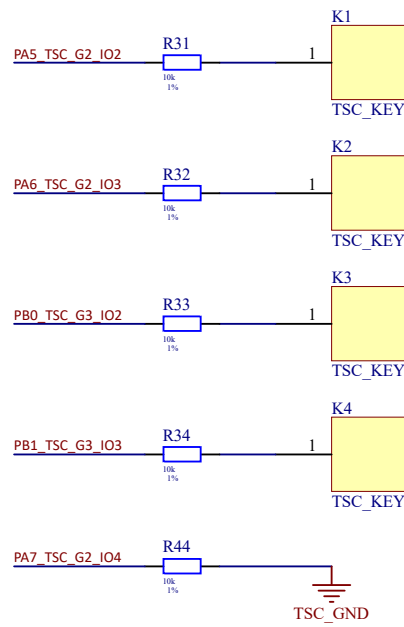


MCU

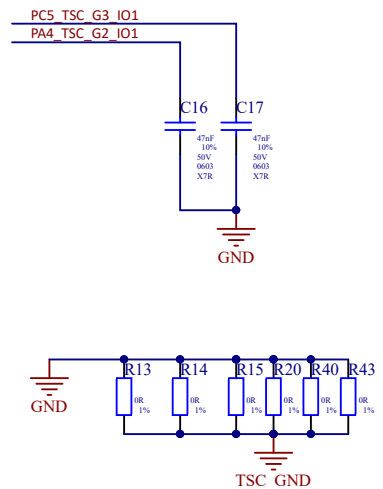
 www.geehy.com	ProjectName	APM32F051 EVAL V1
	DocumentName	MCU
	Page Number	2/6



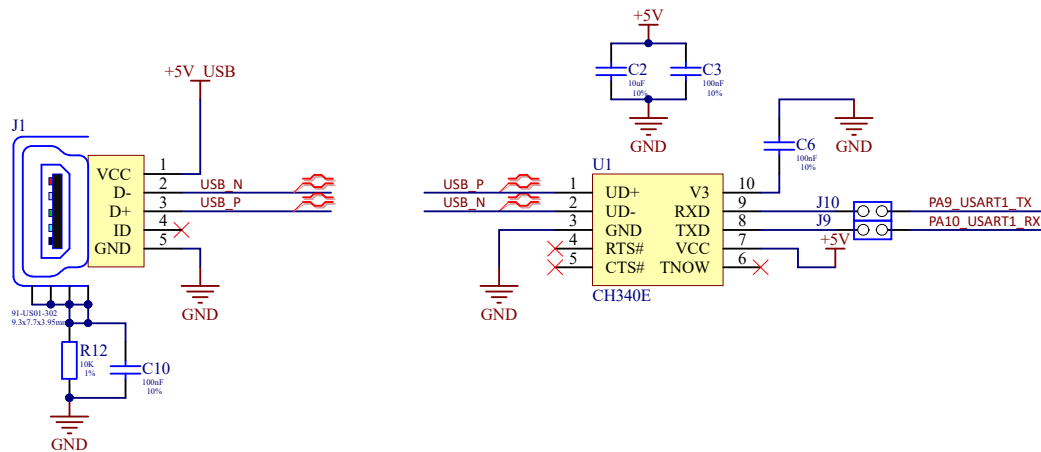
GPIO



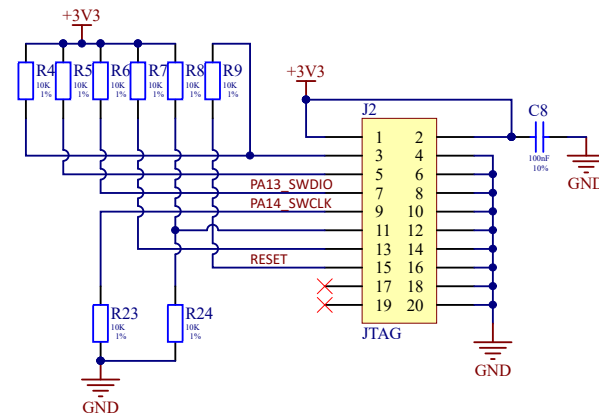
TSC



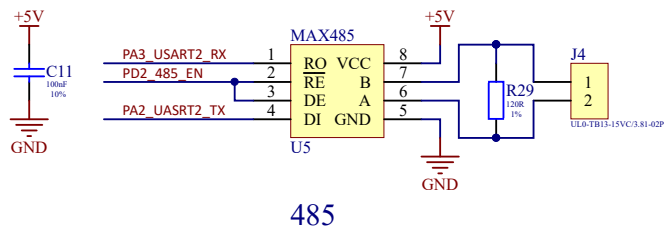
 www.geehy.com	ProjectName	APM32F051 EVAL V1
	DocumentName	GPIO&TSC
	Page Number	3/6




USB TO UART

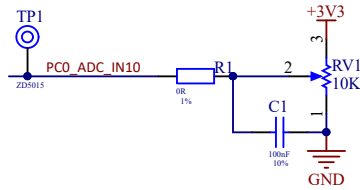


JTAG

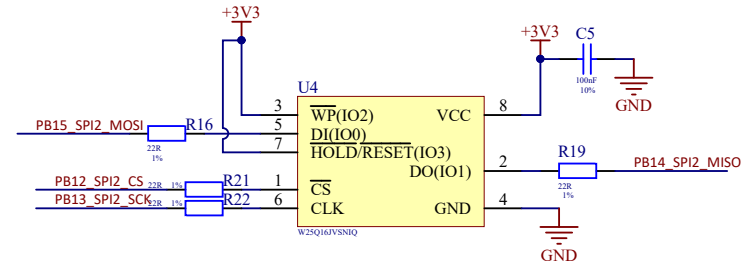


485

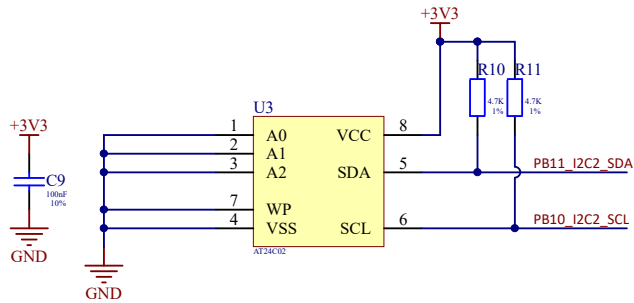
 www.geehy.com	ProjectName	APM32F051 EVAL V1
	DocumentName	Communication
	Page Number	4/6




ADC



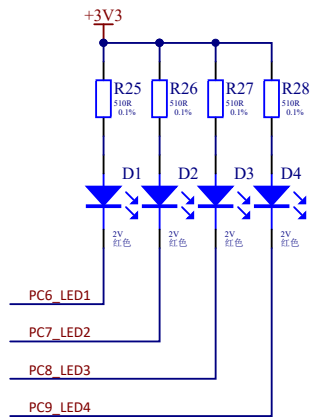
SPI_FLASH



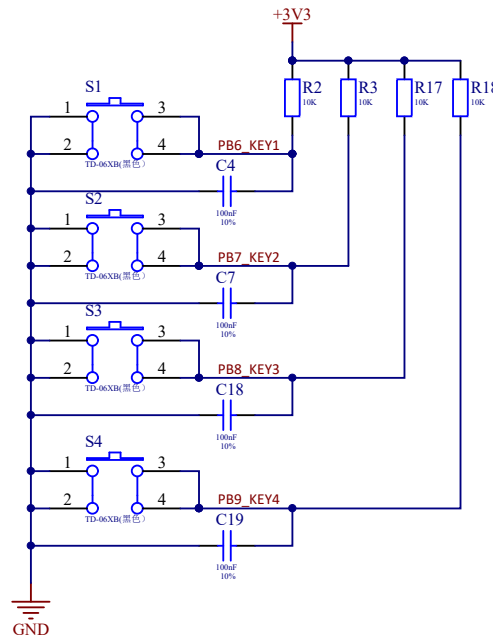
I2C_EEPROM

 www.geehy.com	ProjectName	APM32F051 EVAL V1
	DocumentName	Memory&ADC
	Page Number	5/6

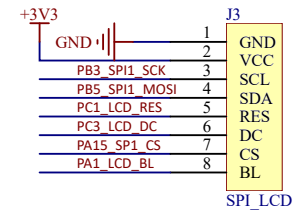
Page6:Buttom&LED&LCD




LED



BUTTON



SPI_LCD

 www.geehy.com	ProjectName	APM32F051 EVAL V1
	DocumentName	Buttom&LED&LCD
	Page Number	6/6