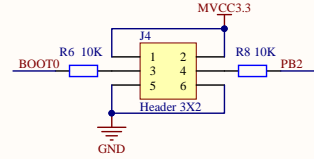
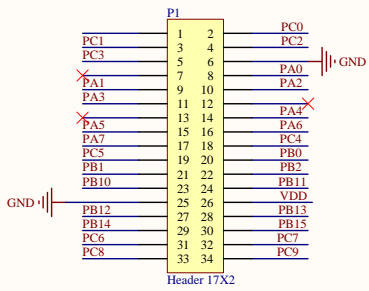
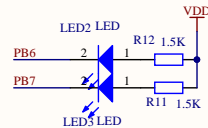


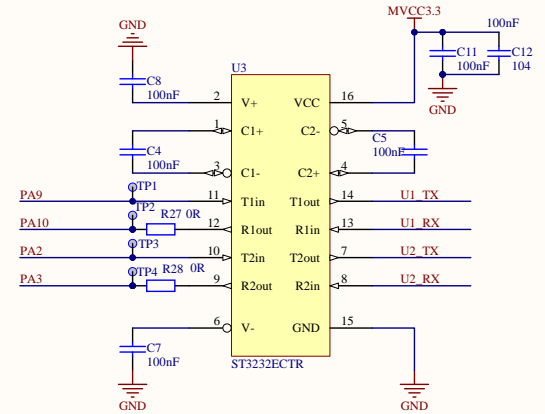
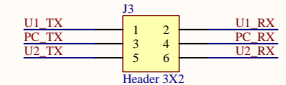
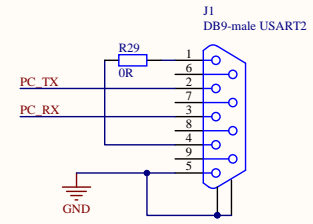
POWER



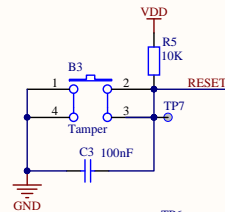
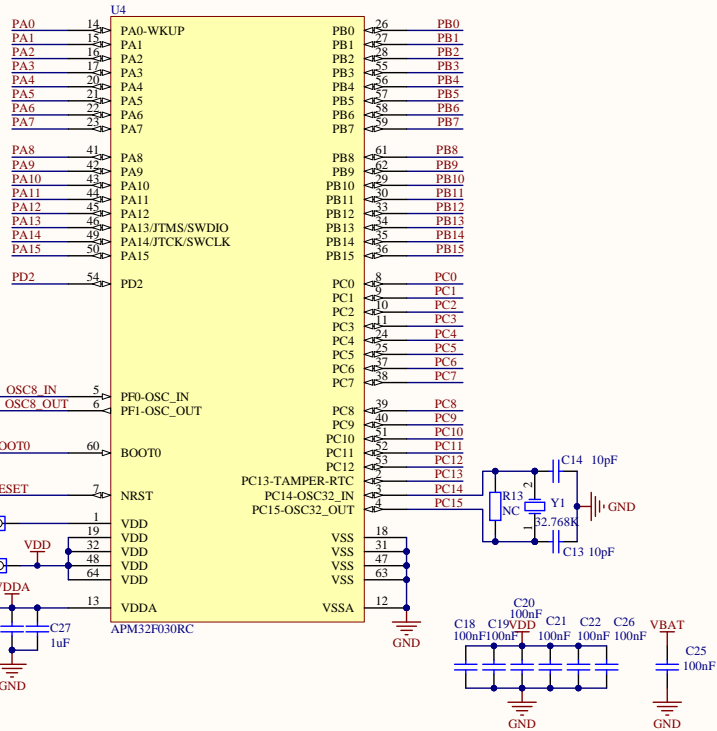
BOOT



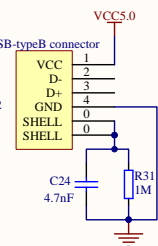
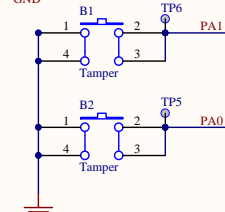
LED



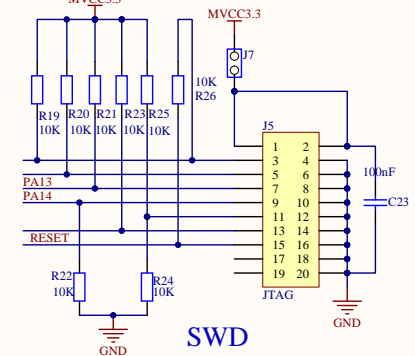
USART



KEY



POWER_IN



SWD